

Roof Piling Machine

R.P.U.



()



HD-2350

Pipe Roof & RPU(Reinforced Protective Umbrella)

Pipe roof

가

Pipe Arch

가

Forepoling

(RPU)

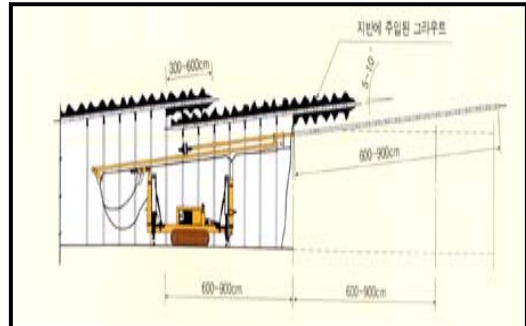
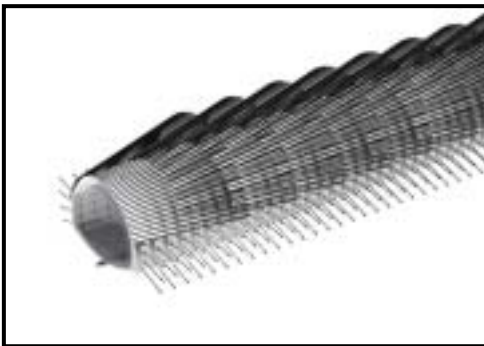
(, FRP)

Grouting

가

가

가



기본 원리

(Beam)

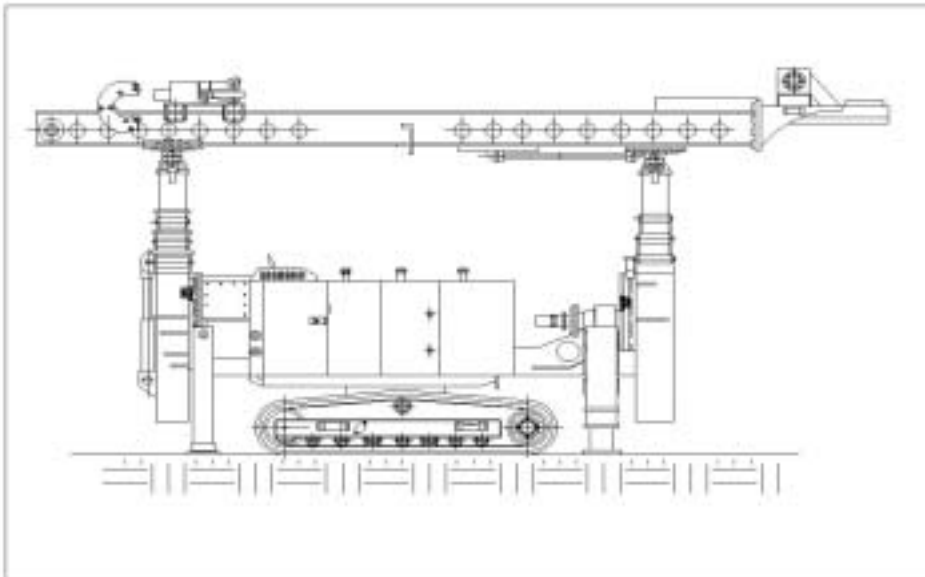
가

특 징

공법 활용분야

Roof Piling

가 Roof Piling Machine

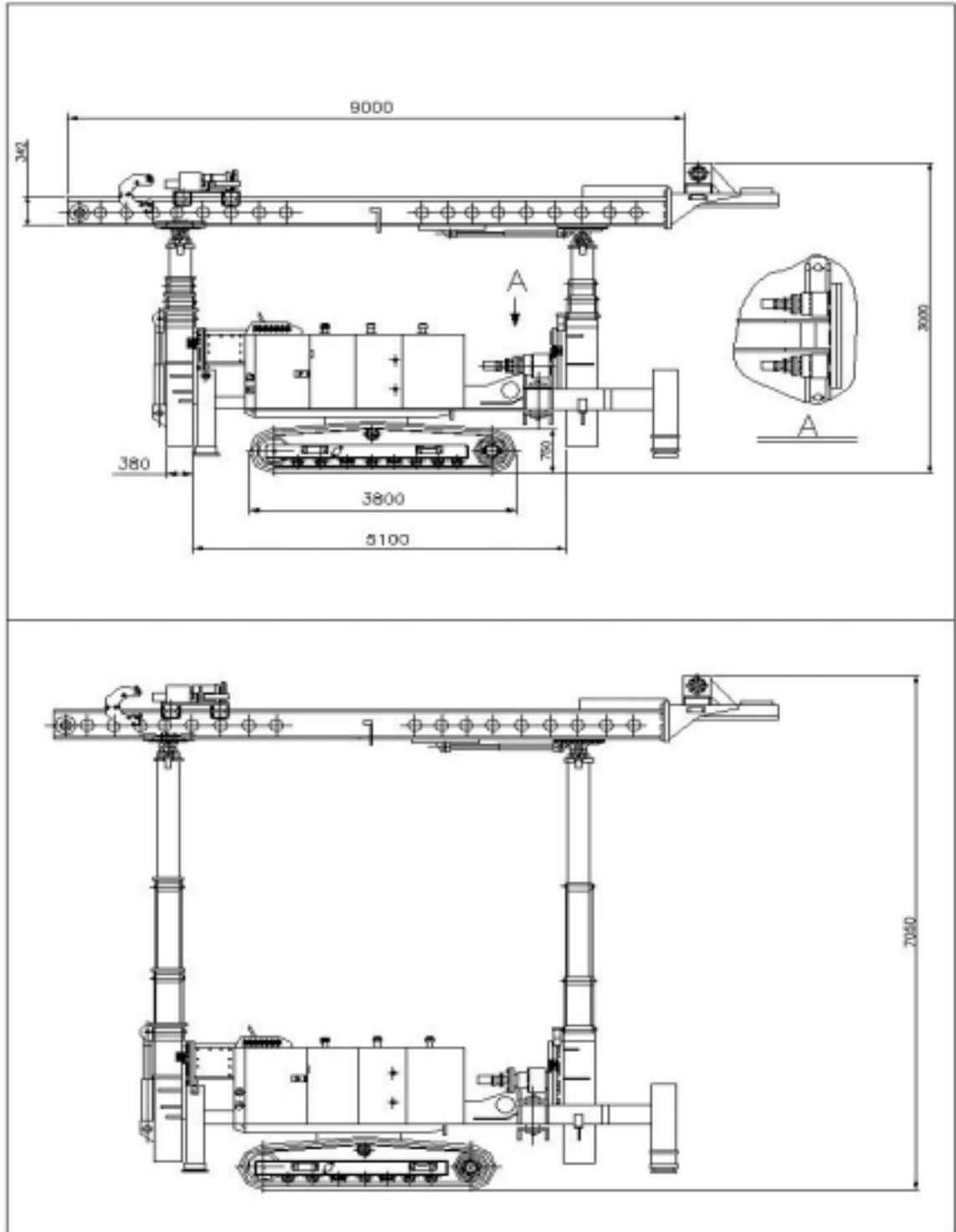


Roof Piling Machine (HD-2350)

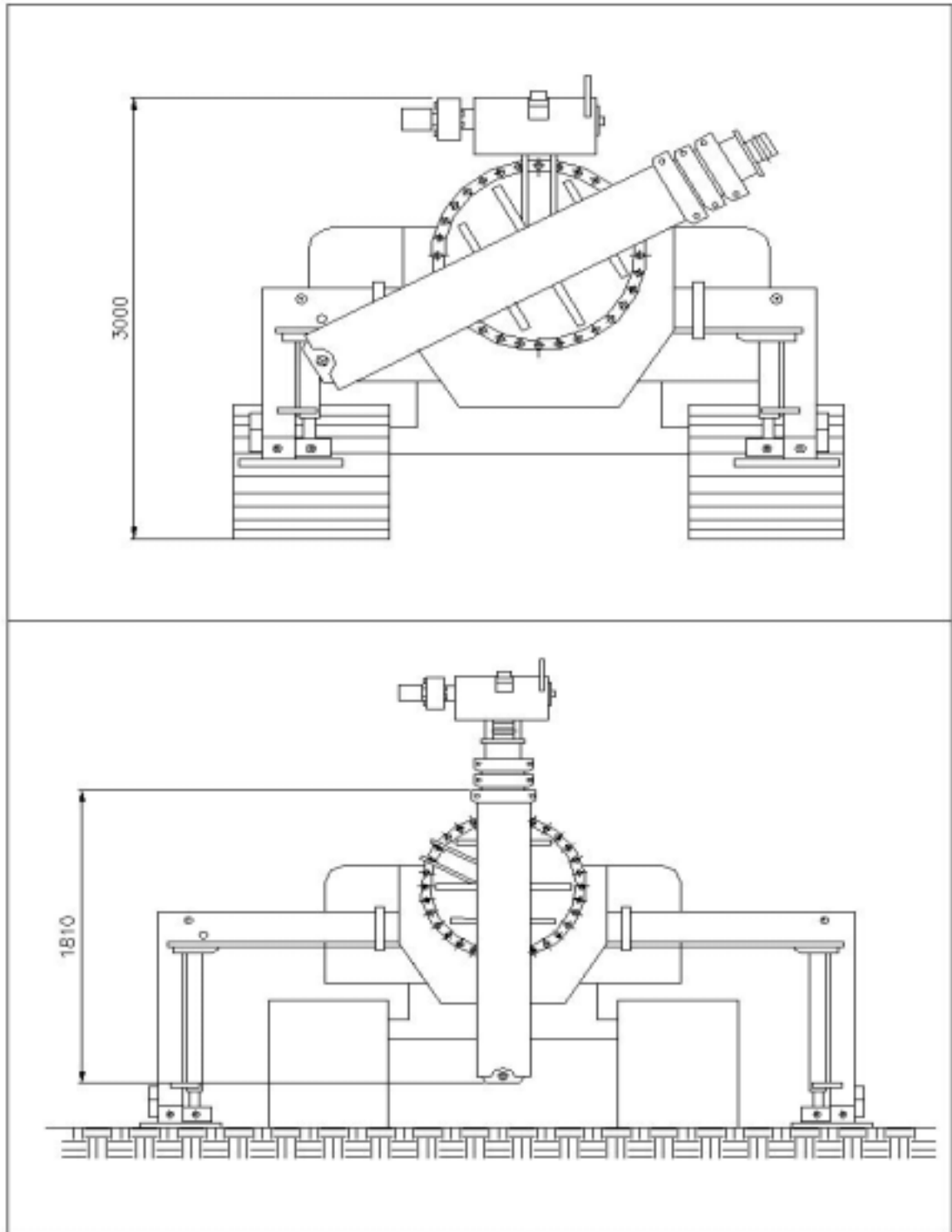
| | |
|--------------------------------------|---|
| * WIDTH | 2,600 mm (OUTRIGER OPEN : 3,600~4,000 mm) |
| * MACHINE SPEED | 3.2 Km / HR |
| * MOUNTING CAPA. | 35 DEG. |
| * HEIGHT | 3,800 mm |
| * WEIGHT | 19.5 TON |
| * ENGINE | CUMMINS 4 BTA, DIESEL TYPE, 102 HP/ 2,200 RPM |
| * LEADER ROTATION | 250 DEG. |
| *WORKING HEIGHT, MAX EXTENDED LEADER | 7,050 mm |
| * PIPE HOLDER | 114mm BASIC |
| * CLAMP POWER | 30 TON |
| * OPTION | ELECTRIC POWER SYSTEM |



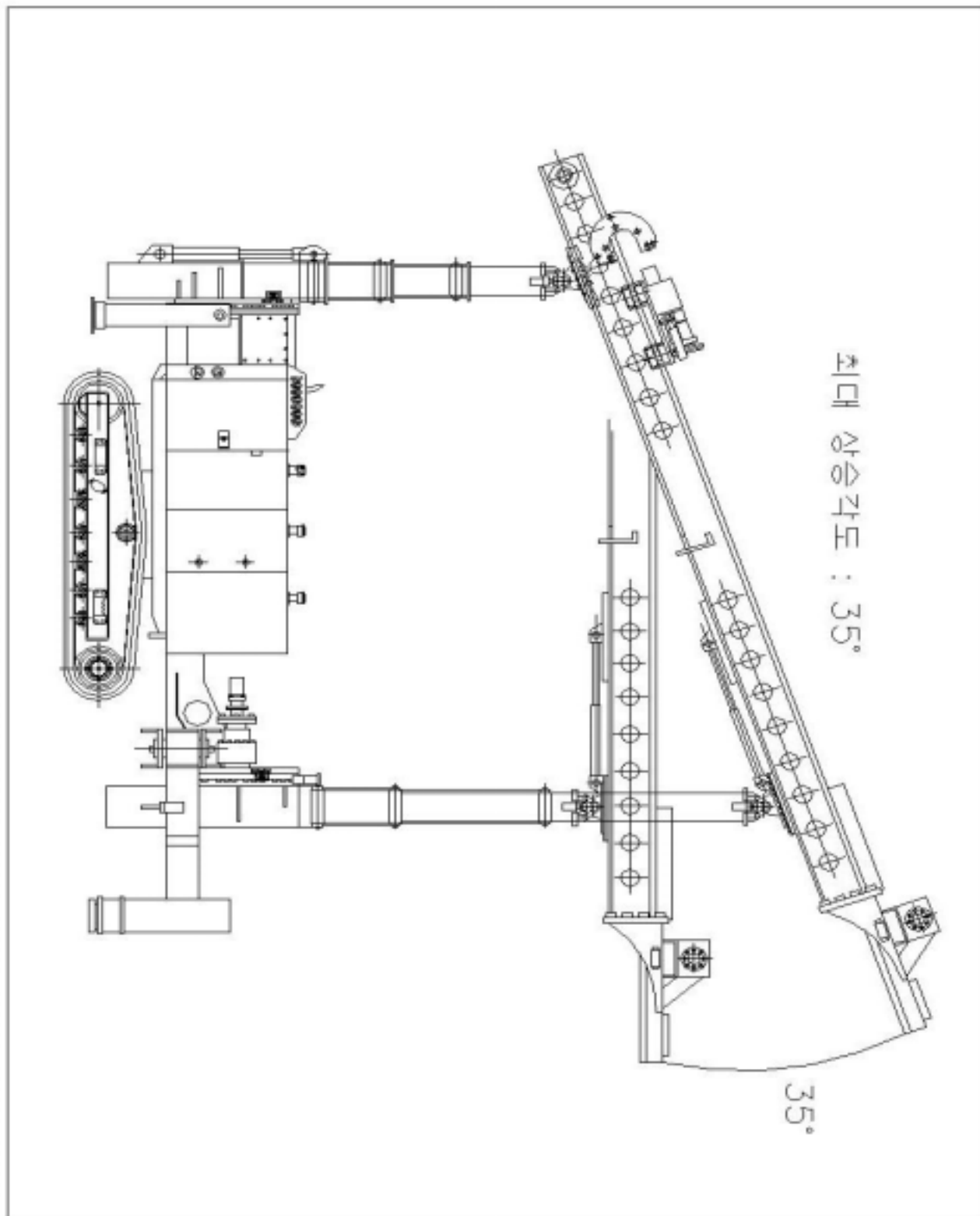
Roof Piling Machine



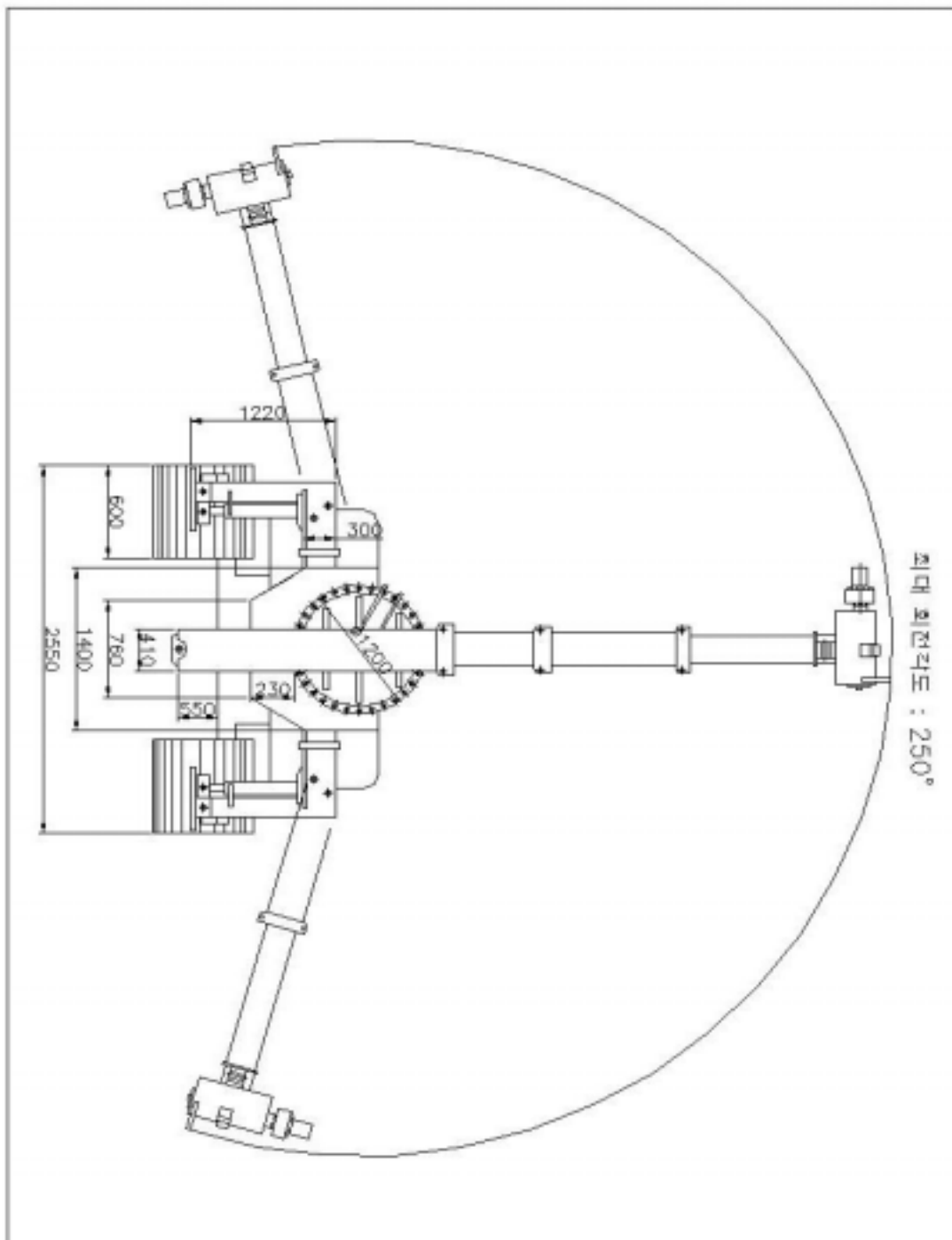
Roof Piling Machine



Roof Piling Machine



Roof Piling Machine

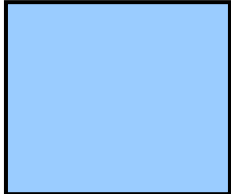


Roof Piling Machine



Undercarriage

| | | |
|--------------------|---|------------|
| Shoe Width | : | 600mm |
| Traveling speed | : | 0-3.2 Km/h |
| Max grade capacity | : | 35 % |



Diesel Engine

| | | |
|-----------------------------|---|-------------------|
| Type | : | Cummins 4 BAT |
| Rated(ISO . IFN) | : | HP 102 / 2200 rpm |
| Fuel tank capacity | : | 260 L |
| Hydraulic oil tank capacity | : | 400 L |



Rotary Head (Power Clamp)

Hydraulic tapered Rotary Head (Power Clamp) can make easy & strong Grip/release of pipe.

This system, which is under patent, remarkably reduces lead time for pipe exchange of 89 ~ 114mm in diameter, offers excellent efficiency in drilling hole and supplying pipes.



Hose - Guide

Each hose proportionally moves according to movement of leader for safety.



Electric Monitoring System

During drilling holes and supplying the pipes, drilling angle & positioning angle are displayed on the TFL screen of the electric panel and controlled by digital technology.

This system increase the credibility of the machine and it's operation.



Positioning Indicator

Each indicator have the angle sensor at the end, which transfer the angle data to the electric system, monitor the operating angle on the screen of electric panel.



Electric Control System

Every operation is controlled by electric system.

Electric panel is mobile.

Remote control is available with extended cable.

Roof Piling Machine

Rotary Head (Power Clamp)



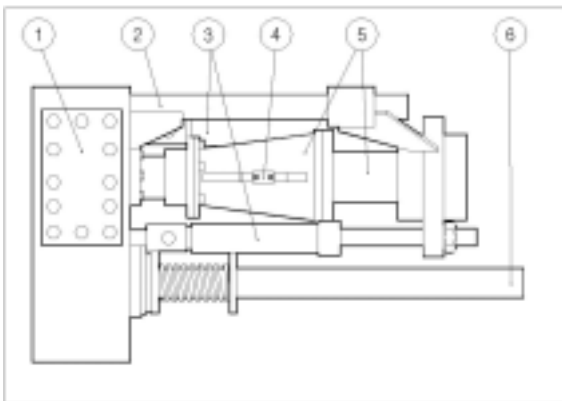
Taper 가

Taper가

Rotary Head
Roof Piping

Open

Drilling



| | | | | | | |
|--|----------|-----------|--------------------|-----|-----------------|---------|
| | | | | | | |
| | Gear box | Slide bar | Hydraulic cylinder | Jaw | Clamp & Housing | Spindle |

Roof Piling Machine

Positioning Indicator



Indicator ,

가 Electric Control system
Electric Monitoring system
indicator()



()

: 1) POWER HEAD DRIFTER

: 2) JAW

: 3) POWER HEAD OPEN

: 1) POWER HEAD

: 2) 가

Rod

73 , 89 , 114 , 120 , 140

: 3) OPEN

가

Roof Piling Machine

HD-2350 ()

- Open () Power Head ,
가

- ,
(3 -)

- () Remote Operation
가 .

Roof Piling Machine

/ CASE

| | | | | |
|-------------------------|------------|--------------------------------------|------------------|-----------------------|
| CASE | | () | () | (Over Burden) |
| | | () | () | Over Burden System |
| | | | | |
| | | 6~8m ROD (6~8m) Head (6~8m) | 6~8m ROD Head | 6~8m Head Rod / |
| HD-2350W (Two Clamp) | (Hammer) | | | () 가 |

Roof Piling Machine

2 HEAD SYSTEM ?

ROD 가 .

가 2 HEAD SYSTEM OPEN

가 .

OVERBURDEN

가 .

가 SYSTEM

HEAD()

HEAD()

ROD

